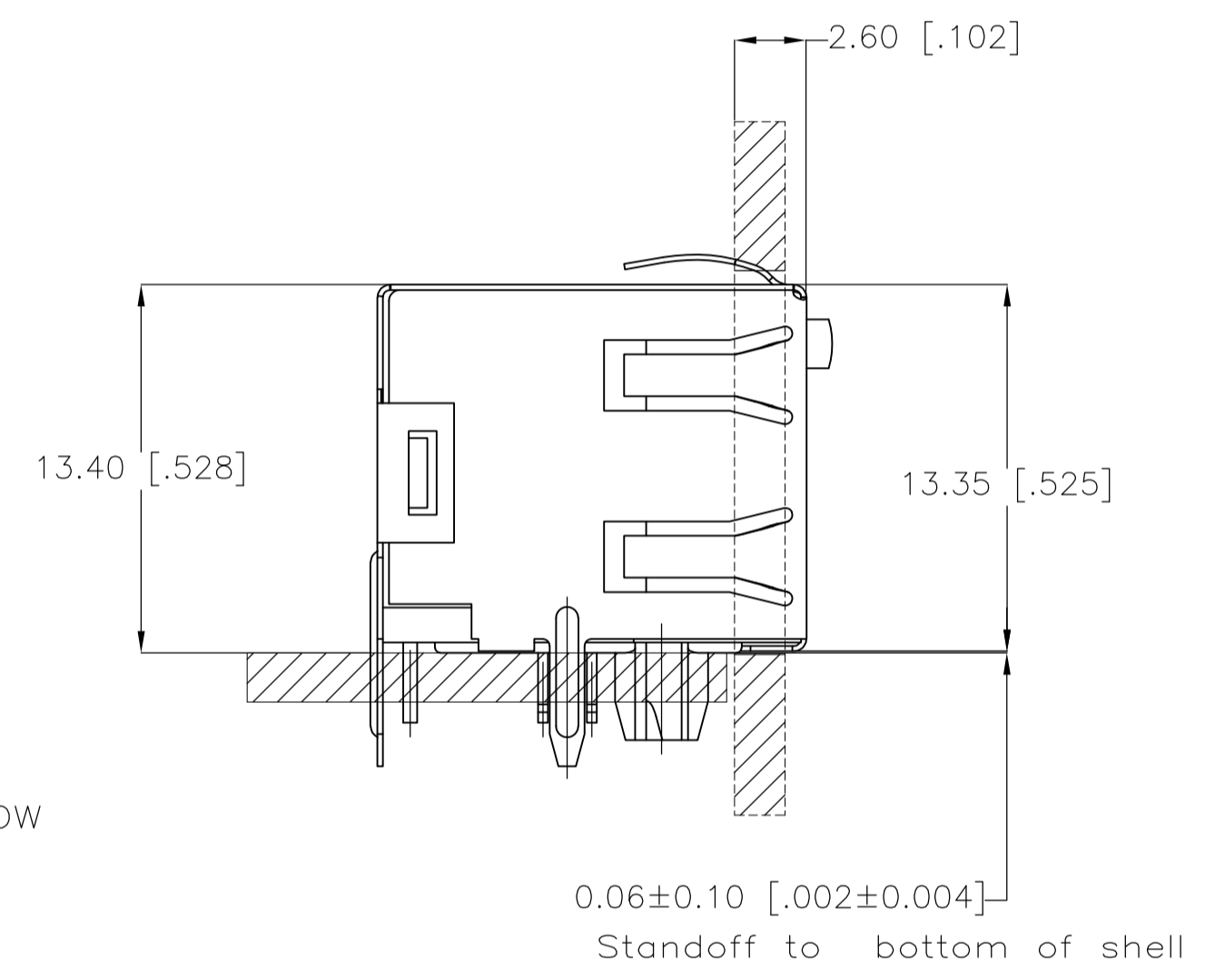
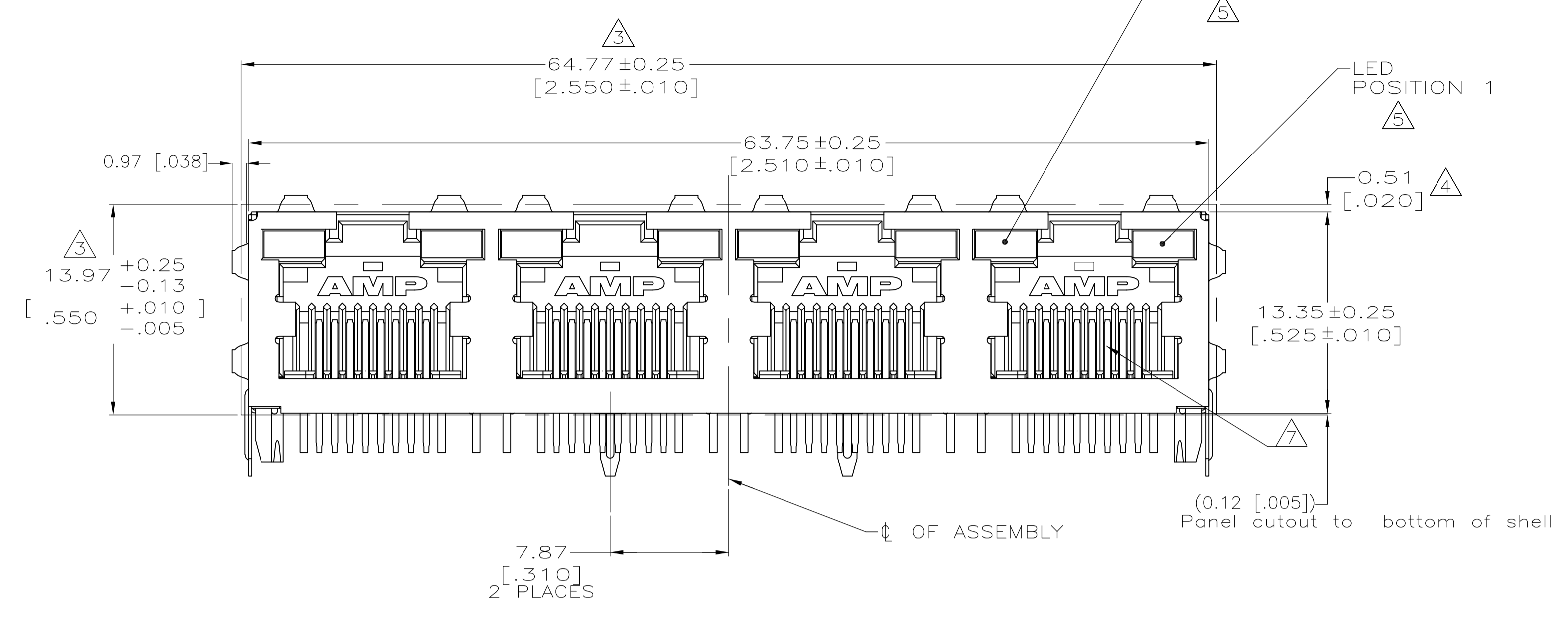
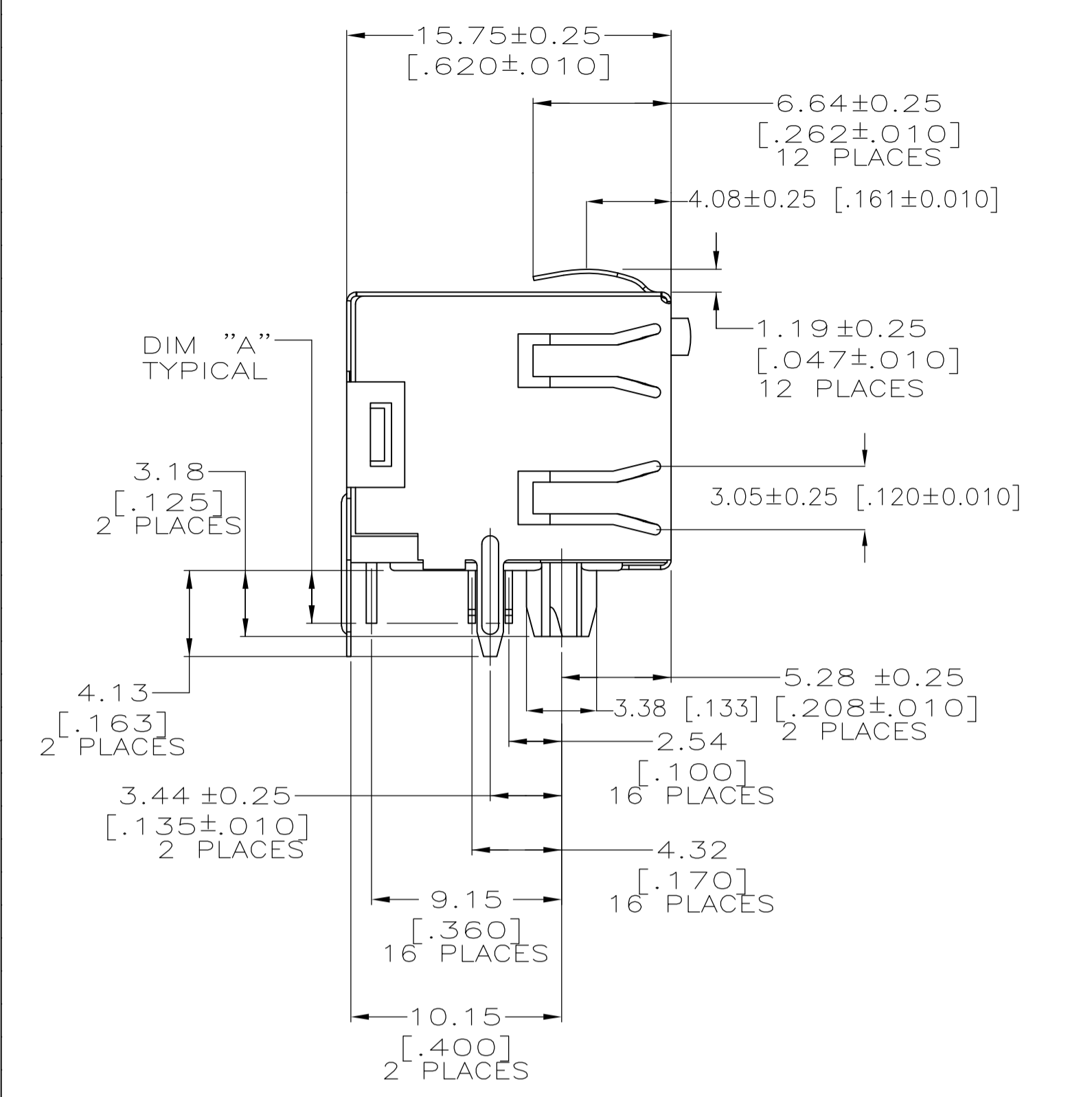
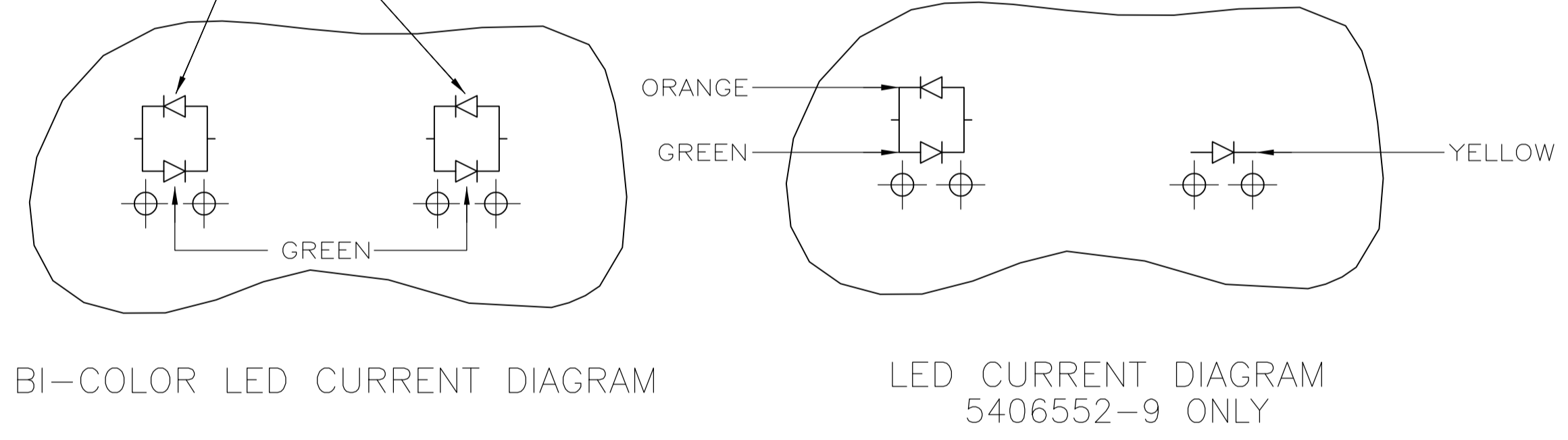


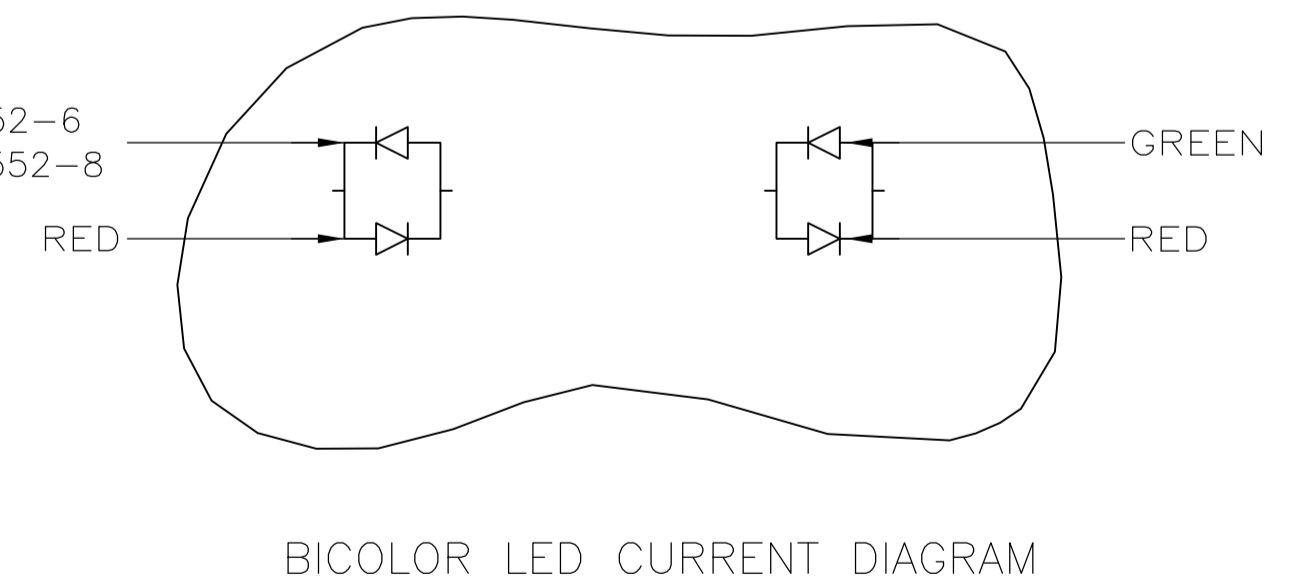
LOC	DIST	REVISIONS			
F	LTR	DESCRIPTION	DATE	DMN	APVD
F1	ECR-14-016571		4NOV2014	CW	SH



RED FOR 1-5406552-3
 YELLOW FOR 5406552-8
 AND 2-5406552-0
 ORANGE FOR 5406552-7



GREEN FOR 1-5406552-6
 YELLOW FOR 1-5406552-8



- MATERIAL:
 HOUSING - HIGH TEMPERATURE THERMOPLASTIC, BLACK, UL94V-0.
 TERMINALS - 0.36[.014] THICK PHOS BRONZE PLATED WITH 3.81µm[.000150] MINIMUM THICK MATTE TIN IN SOLDER AREA. 1.27µm[.000050] MINIMUM GOLD IN LOCALIZED PLATE AREA. ENTIRE TERMINAL PLATED WITH 1.27µm[.000050] MINIMUM THICK NICKEL.
 SHIELD - 0.196[.0077] THICK COPPER ZINC ALLOY PREPLATED WITH 1.27µm[.000050] MINIMUM SATIN NICKEL WITH 2.03µm[.000080] MINIMUM TIN POST DIPPED ON PCB GROUND TABS.
 LIGHT EMITTING DIODE (LED) - DIFFUSED EPOXY LENS, 0.51 x 0.51[.020 x .020] CARBON STEEL WIREFRAME LEADS PREPLATED WITH 8.89 µm THICK Sn/Cu OVER 2.03 µm THICK Ag OVER 1.02 µm THICK Cu OVER 3.56 µm THICK Ni OVER 1.02 µm THICK Cu UNDERPLATE
- JACK CAVITY CONFORMS TO FCC RULES AND REGULATIONS PART 68, SUBPART F.
- SUGGESTED PANEL OPENING DIMENSIONS.
- SUGGESTED CLEARANCE BETWEEN TOP OF CONNECTOR AND TOP PANEL OPENING.
- SEE TABLE FOR COLOR OF LEDS AND NUMBER REQUIRED.
- THIS MODULAR JACK WITH INTEGRATED LED IS NOT IR REFLOW SOLDERING PROCESS COMPATIBLE.
- CONTACT AREA LUBRICATED WITH BELLCORE APPROVED LUBRICANT. TECHNICAL REFERENCE GR-1217-CORE, ISSUE 1. NOVEMBER 1995. ONLY FOR 1-5406552-7
- THE PART IS PRELIMINARY
- OBsolete PARTS: OBSOLETE CIS STREAMLINING PER D.RENAUD/D.SINISI

INDICATOR COLOR FOR EACH HOUSING	POSITION 2	POSITION 1	PART NUMBER
YELLOW	GREEN	GREEN	2-5406552-1
GREEN/YELLOW	GREEN/YELLOW	GREEN/YELLOW	2-5406552-0
RED/GREEN	RED/GREEN	RED/GREEN	1-5406552-9
RED/YELLOW	RED/GREEN	RED/GREEN	1-5406552-8
GREEN	-	-	1-5406552-7
RED/GREEN	RED/GREEN	RED/GREEN	1-5406552-6
SEE VIEW A (SHEET 2)	SEE VIEW A (SHEET 2)	SEE VIEW A (SHEET 2)	1-5406552-5
RED	GREEN	GREEN	1-5406552-4
GREEN/RED	GREEN/RED	GREEN/RED	1-5406552-3
YELLOW	GREEN	GREEN	1-5406552-1
GREEN/ORANGE	YELLOW	YELLOW	5406552-9
GREEN/YELLOW	GREEN/YELLOW	GREEN/YELLOW	5406552-8
GREEN/ORANGE	GREEN/ORANGE	GREEN/ORANGE	5406552-7
OBsolete	YELLOW	YELLOW	5406552-6
OBsolete	GREEN	GREEN	5406552-5
OBsolete	GREEN	YELLOW	5406552-4
OBsolete	YELLOW	-	5406552-3
OBsolete	-	GREEN	5406552-2
OBsolete	YELLOW	GREEN	5406552-1

THIS DRAWING IS A CONTROLLED DOCUMENT.

APPROVED: T. SPRINKLE / L.A. MAYER (10MAY2005)
 CHK: J. WESTMAN (10MAY2005)
 APVD: S. FLICKINGER (10MAY2005)

STE TE Connectivity

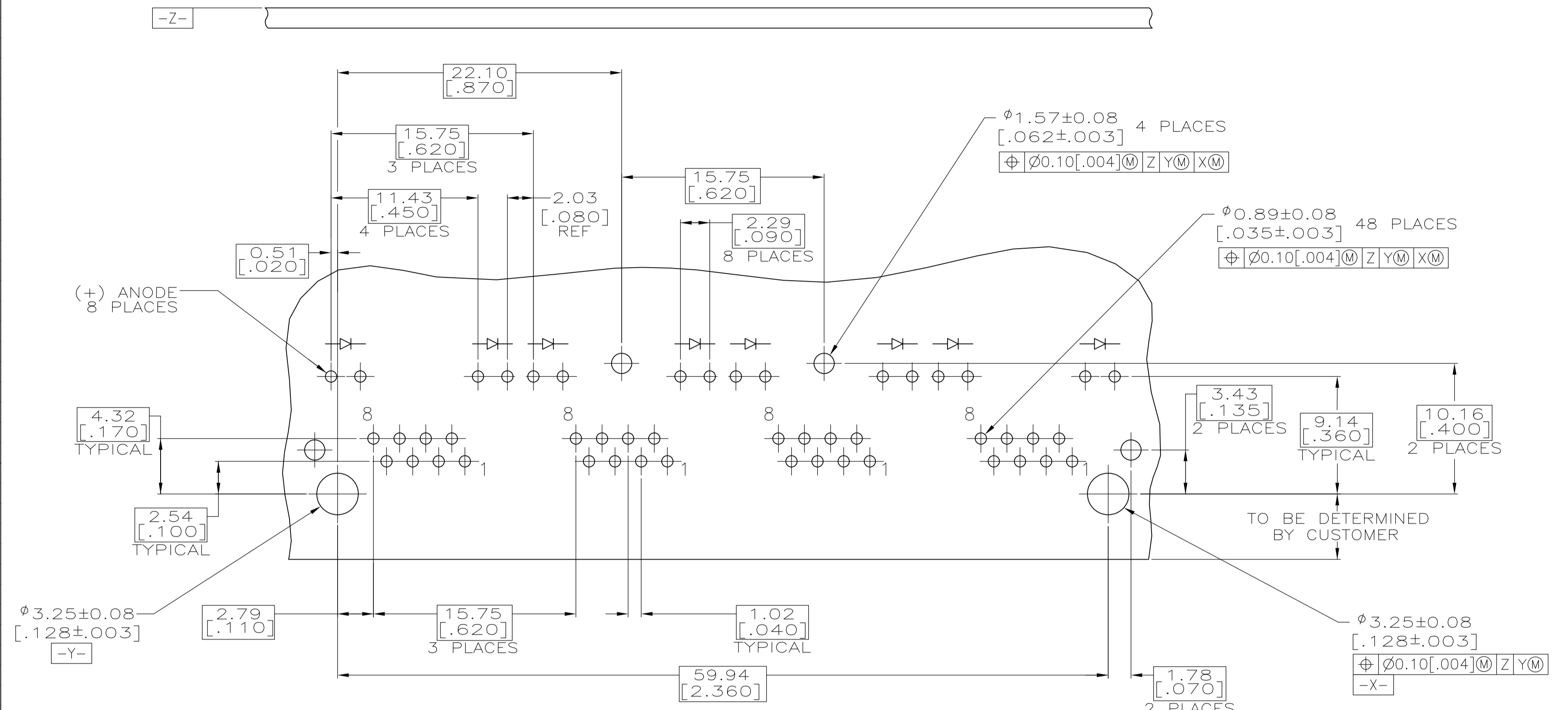
INVERTED MODULAR JACK ASSEMBLY, 1X4, SHIELDED, PANEL GROUND, WITH LED

108-1163-4

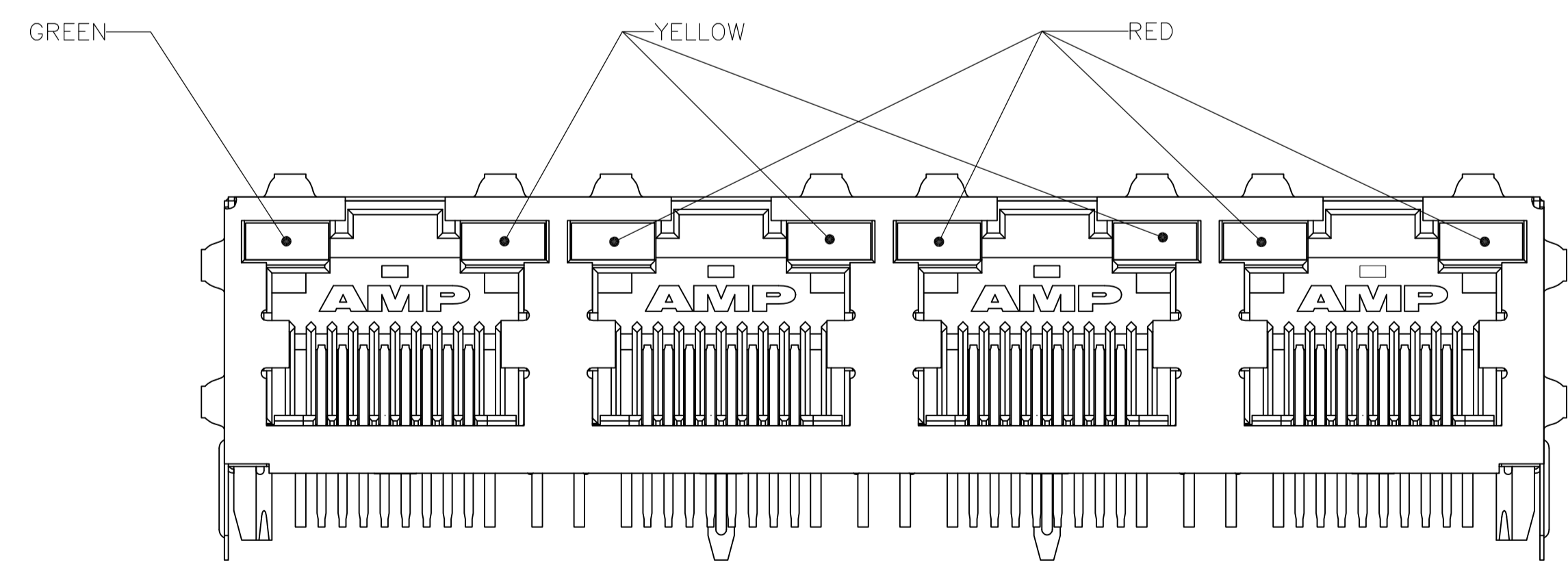
114-2154

00779 5406552

CUSTOMER DRAWING SCALE 4:1 SHEET 1 OF 2 REV F1



SUGGESTED PRINTED CIRCUIT BOARD LAYOUT
(COMPONENT SIDE)



VIEW A
(1-5406552-5 ONLY)

THIS DRAWING IS A CONTROLLED DOCUMENT.		DIN T. SPRINKLE/L.A. MAYER 10MAY2005		STE TE Connectivity	
DIMENSIONS: mm		CHK J. WESTMAN 10MAY2005		NAME	
TOLERANCES UNLESS OTHERWISE SPECIFIED:		APVD S. FLICKINGER 10MAY2005		INVERTED MODULAR JACK ASSEMBLY, 1X4, SHIELDED, PANEL GROUND, WITH LED	
0. PLC ± -		PRODUCT SPEC		SIZE CAGE CODE DRAWING NO RESTRICTED TO	
1. PLC ± -		108-1163-4		A1 00779 C=5406552	
2. PLC ± 0.25[.01]		APPLICATION SPEC		SCALE 4:1 SHEET 2 OF 2 REV F1	
3. PLC ± 0.13[.005]		114-2154			
4. PLC ± -		WEIGHT -			
ANGLES ± -		MATERIAL SEE NOTE 1		FINISH SEE NOTE 1	
		CUSTOMER DRAWING			